



**10 Essential Factors for Choosing the Right CAD Plotter Printer!**  
**Attend our webinar!**  
Oct. 16, 1–2pm EST  
**REGISTER TODAY!**

# cadalyst

Navigate the world of design technology



## CAD Manager's Newsletter

STRATEGIES AND SOLUTIONS FOR THE REAL WORLD  
*By Robert Green*

October 1, 2024  
Issue #527

## Drive Workflows to Gain CAD Standards Compliance

### How a contrarian's approach to CAD standards gets the job done.

I often see questions in my Facebook group asking, “How should I setup the standards for Civil 3D, Revit, or Solidworks,” amongst others. Sometimes there are details, but the questions are often surprisingly open-ended and assume there is a single right way to create standards. I've found that creating standards is easy — it is getting people to follow them that is tough — so I've learned what works and what doesn't. The trick to avoiding problems from the beginning is to avoid what typically **doesn't** work. By using this contrarian view — how NOT to create CAD standards — you'll find your greatest chance for success.

So, in this edition of *The CAD Manager's Newsletter*, I'll cover my mental process for creating a standards framework in chronological order (which may seem backward to you) along with tips, tricks, and talking points you can use with senior managers, project managers, and users alike. Here goes.



Image source: FunTap/stock.adobe.com.

### **Attitude Check: Getting Buy In is Most Important**

As the CAD manager I often believe my ideas for standards are best, but are they really? I may believe that I know how best to attack a CAD management problem (and that may even be true), but is it more important to do it my way or the right way? Over time I've found that emphasizing the need for an easy-to-use standard that works for everyone helps users buy into the standards and feel like I'm not being dictatorial. My talk track is, "We're all going to use this standard, so let's get involved and make sure it'll work for all of us."

So, **don't** push for your standards, make sure the standards you create are crafted via consensus and are broadly supported so you can push for the group's *agreed upon* standards.

***By setting up workflows that everyone agrees on, you instantly have standards compliance. What does that mean? As an example, a written standard might say "all dimensions in DWG files should reside on the layer AR-DIM" but the workflow might be that a template DWG file is provided where those layers and entities are already populated. Further, the workflow would explain where the template DWG file is stored, how to access it, and have a brief example of how to use the file in a project context. Find out how to get everyone to buy into the new way of working!***

**[<<READ THE COLUMN NOW>>](#)**

---

**Free Webinar**



Are you struggling to choose the right plotter or printer for your CAD office?

**Attend our webinar!**

**Oct. 16, 1–2pm EST REGISTER TODAY!**

**10 Essential Factors for Choosing the Right CAD Plotter Printer**

**EPSON®**

Join Cadalyst & EPSON for our webinar:  
**Choosing the Right CAD Plotter Printer**

**WHEN: October 16, 1pm EST**

Are you struggling to find the right CAD plotter printer that meets your business needs? Join us on **October 16** for an exclusive webinar, "[10 Essential Factors for Choosing the Right CAD Plotter Printer](#)" sponsored by Epson.

Discover the key insights and expert tips to help you make the best choice for your team and projects!

#### What You'll Learn:

- How to identify signs it's time to upgrade your current printer
- Tips for choosing the right printer speed to keep your workflow moving
- Ink and media options that enhance versatility and cost-effectiveness
- Security and connectivity features for seamless, secure printing
- And much more!

**Who Should Attend?** Architects, engineers, construction professionals, and anyone looking to enhance their print capabilities for improved project outcomes. Whether you work in a small office, a mid-sized workgroup, or a large production environment, this webinar will provide valuable insights tailored to your needs.

#### [Reserve Your Spot Today!](#)

Don't miss this opportunity to gain expert knowledge on choosing the perfect CAD plotter printer. Jacob Hardin, writer of the long-time Cadalyst EPSON Viewpoint column will lead the discussion!

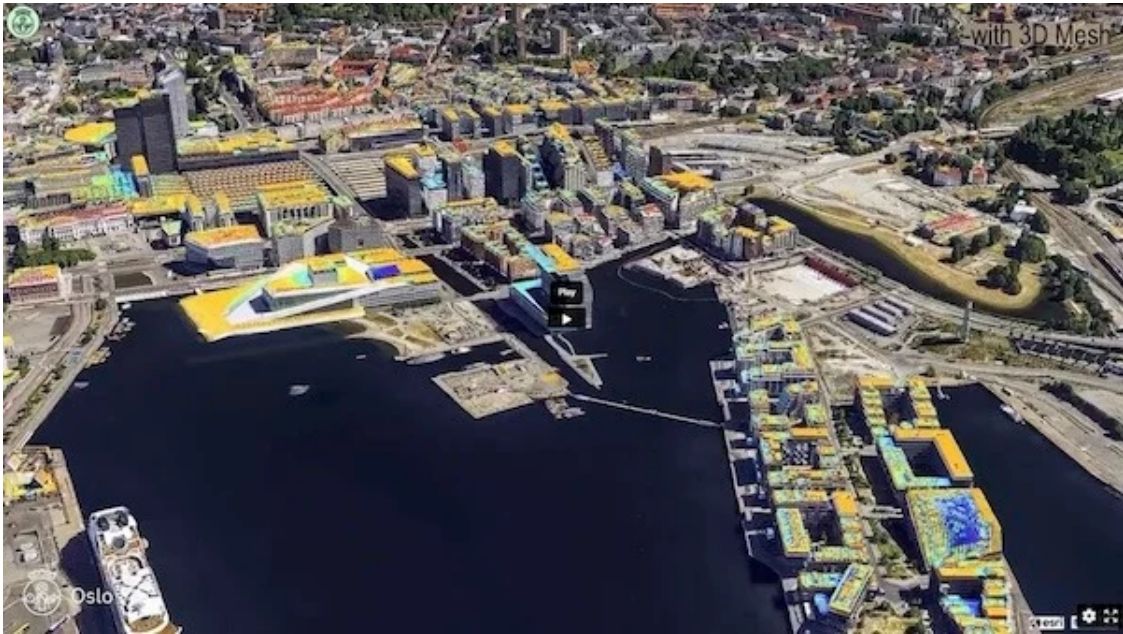
#### [Register Now!](#)

We look forward to seeing you there!

---

## What's New at Cadalyst





### GIS Solutions: 3D GIS Expands Perspectives

Technology adds a new dimension to urban planning and other fields. Read about these examples from around the world. *By Andrew G. Roe.* [Read more >>](#)

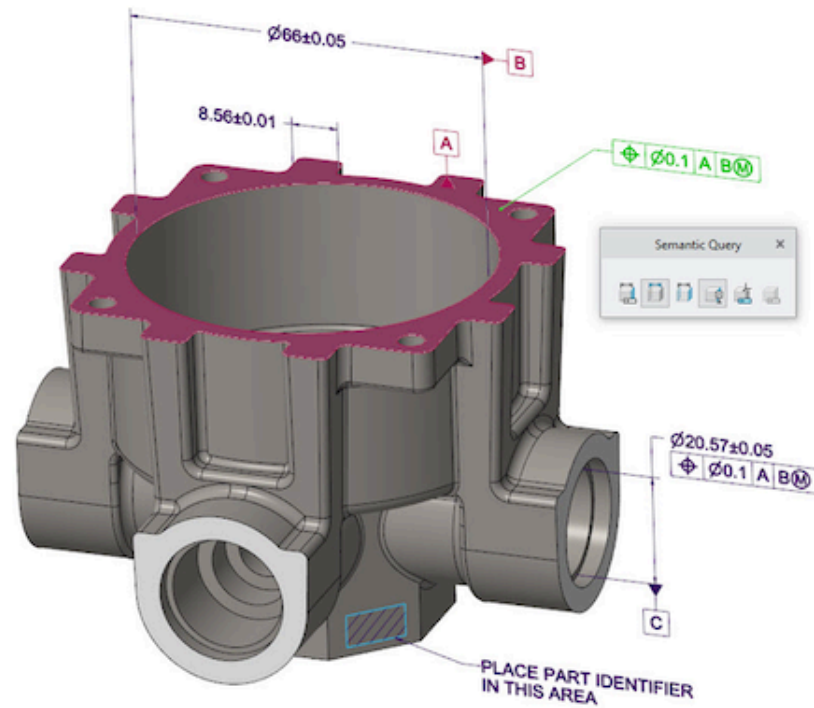
---



### SPONSORED ARTICLE: How Will AI Support Infrastructure Professionals?

As artificial intelligence (AI) garners growing worldwide attention, infrastructure professionals are experiencing firsthand how AI can provide tangible benefits. Find out how AI will augment, complement, and enhance work so that they can accomplish more. *By Cadalyst Staff* [Read more >>](#)

---



### MCAD Solutions: The Advantages of Model-based Design

Model-based design offers benefits that go beyond the value of eliminating workflow actions, especially when combined with generative and simulation-driven design. *By Cadalyst Staff* [Read more >>](#)

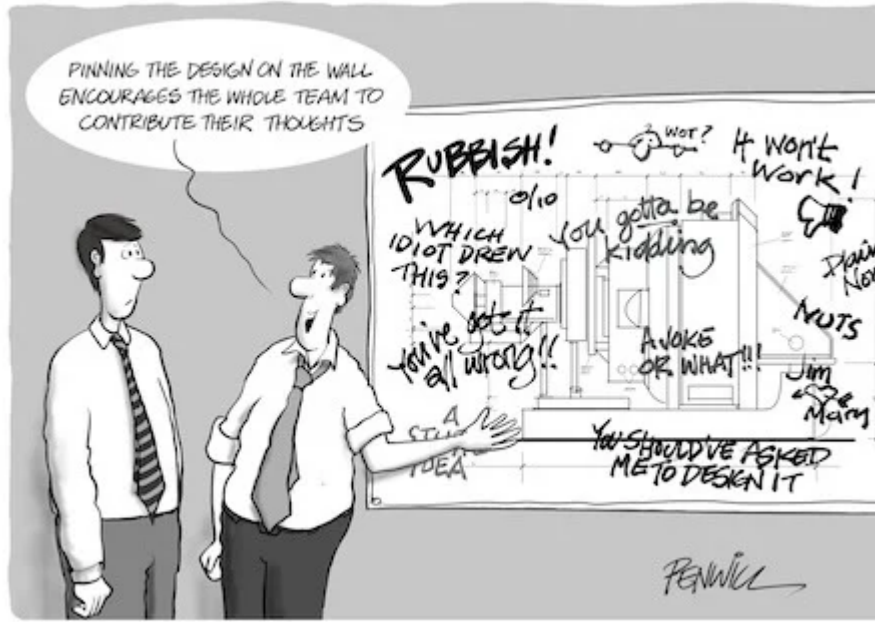


### SPONSORED ARTICLE: Measuring the Benefits of Digital Transformation

Setting KPIs can help you measure your company's success when implementing digital tools. Find out more! *By Cadalyst Staff* [Read more >>](#)



# CAD Cartoon



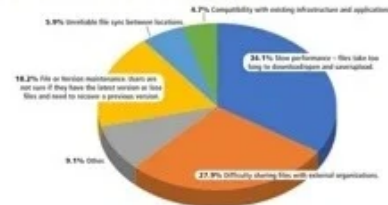
By [Roger Penwill](#)

[Keep 'em Laughing!](#)

## Free Resources

Companies struggle with problems when trying to collaborate with shared files (Question 7).

What problems do users report when trying to collaborate with shared files?



100% of survey respondents report problems when trying to collaborate with shared files. The highest (34.1%) struggle with slow performance and files taking too long to download and/or open. 27.9% had most difficulty sharing files with external organizations.

Comment: This graph should not surprise us as the problems are the same as they ever were. This is a classic summary of collaboration problems (versioning, sync problems, slow WANs, difficulty sharing files with traditional methods). The good news here is that the core of the prior survey that talked about these issues is still valid. While where files are shared has changed (home, remote) the problems of how to share haven't changed.

One trend to note is that cloud sharing has increased since the last white paper — but not by as much as you'd think — so we can now surmise that cloud sharing hasn't solved the problem which is a useful data point. If the thinking was the cloud would solve the problem then we now know that isn't true — and that's the case for everything from One Drive to Dropbox, to shared WAN folders on a central server. — RG

## 2024 CAD Collaboration Survey: What We Learned

Get the exclusive inside scoop on the state of CAD file collaboration today. We uncovered surprising truths about the obstacles design and engineering professionals face when trying to collaborate. Find out:

- The #1 issue causing slow performance and headaches.
- Why popular solutions like Dropbox and email STILL don't solve the top collaboration problems.
- What companies struggle with when working with external partners.
- How the future of CAD collaboration is still hindered by old technology.
- Get data-backed recommendations.

By *Cadalyt Staff*

DOWNLOAD NOW



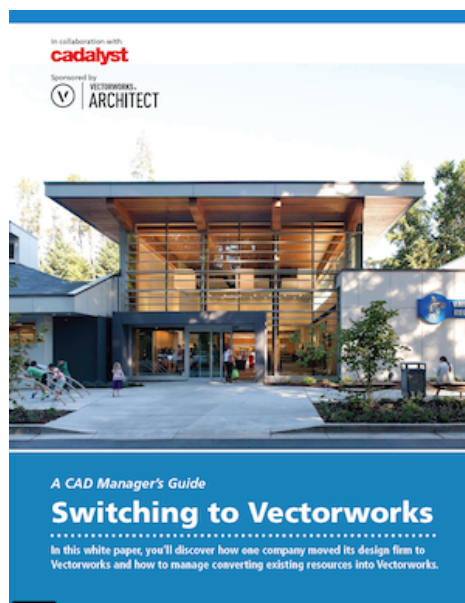
## Digital Transformation in Manufacturing

Innovation within manufacturing helps create a culture of continuous improvement to improve product quality and reduce waste, ultimately making companies more successful.

Implementing a digital MES can help you drive innovation on your production floor.

Find out how a digital manufacturing execution system (MES) can transform your factory.

DOWNLOAD NOW



## A CAD Manager's Guide to Switching to Vectorworks

Discover how one company moved its design firm to Vectorworks and how to manage converting existing resources into Vectorworks.

DOWNLOAD NOW

---

## More Digital Design Solutions

Product Design

Building Design

Civil Engineering

Prototyping

Design Testing

Conceptual Design

Reality Capture

Drafting & 2D



Longitude Media, LLC, PO Box 210824, Royal Palm Beach, Florida 33421, USA

[Unsubscribe](#) [Manage preferences](#)